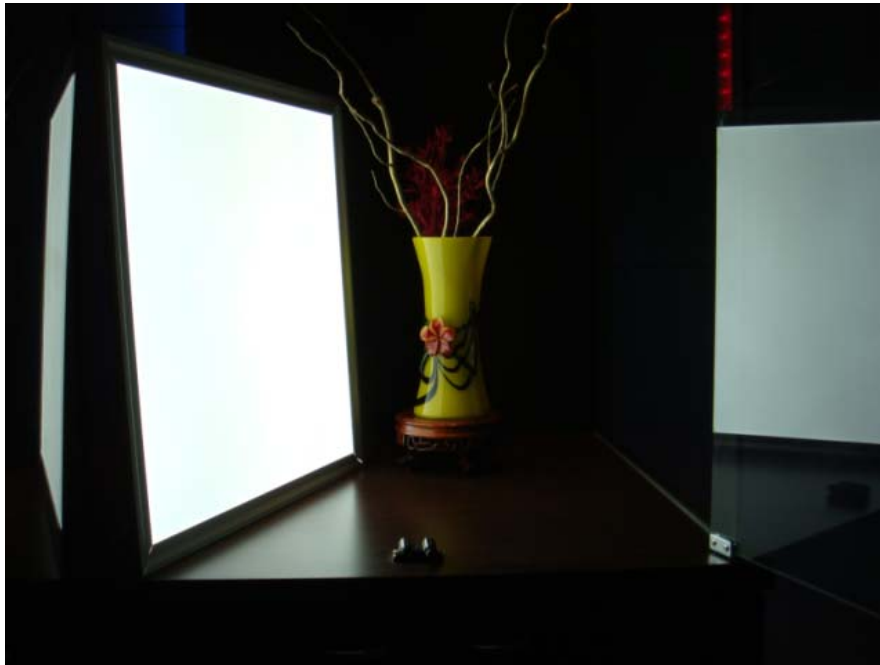




HELIO Optoelectronics Corp.



Heli-Skylight

60W Backlight Ceiling Lamp

HELIO Optoelectronics Corp.

1. Product Information:

Item Number :

- 1.1 White : GA01W-060NA
 - 1.2 Warm white : GA01V-060NA
 - 1.3 Neutral white : GA01S-060NA
- Description: 60W Backlight Ceiling Lamp

2. Functional Schematic:

A full function Luminaire of 600X600mm lighting plate is the combination of Lighting Module and Power Supply Unit. It is functioned as the following indication.



3. Optical Performance Specification:

- 3.1 Color Temperature: standard with 5800+/-300K or per customer's requirement.
- 3.2 Light Output (Luminous Flux): minimum with 2500lm.
- 3.3 Source Illuminance@ Surface: minimum with 12000lux
- 3.4 Uniformity*:70%

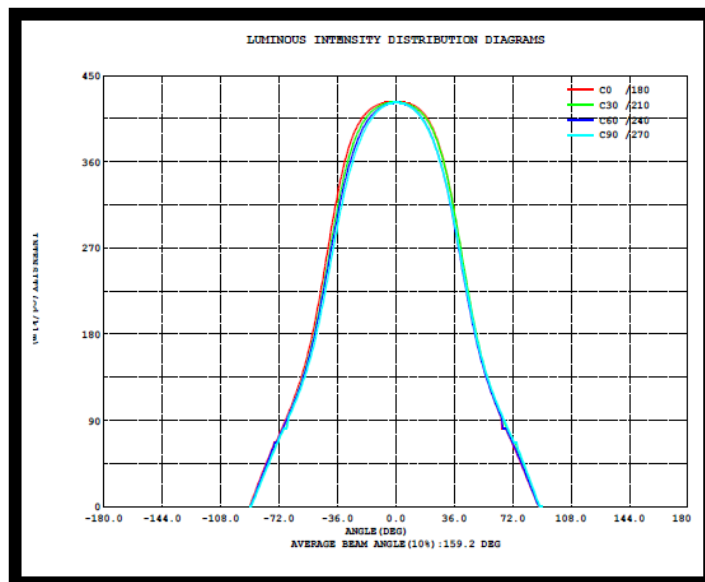
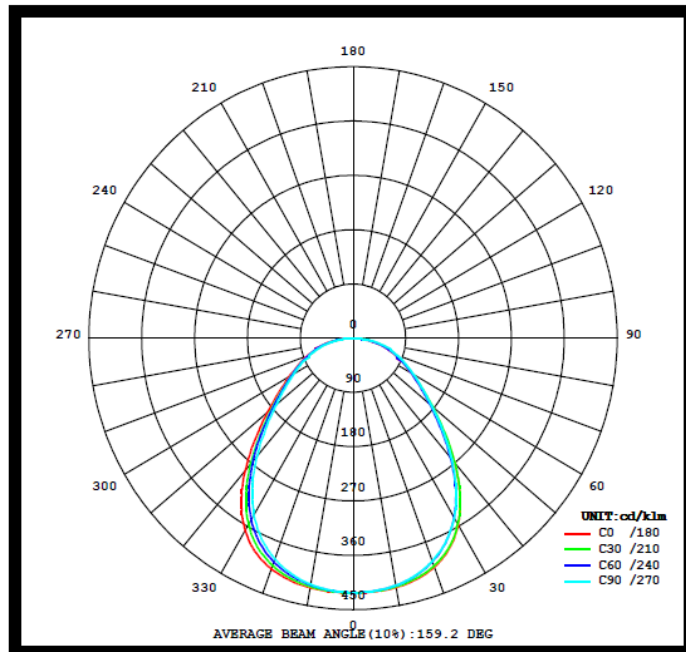
Remark*: the definition of Uniformity would be the comparison 9 points distributed uniformly on lighting surface

The information contained herein is the exclusive property of HELIO and shall not be distributed reproduced, or disclosed in whole or in part without prior written permission of HELIO.



HELIO Optoelectronics Corp.

3.5 Illuminance Distribution:



The information contained herein is the exclusive property of HELIO and shall not be distributed reproduced, or disclosed in whole or in part without prior written permission of HELIO.



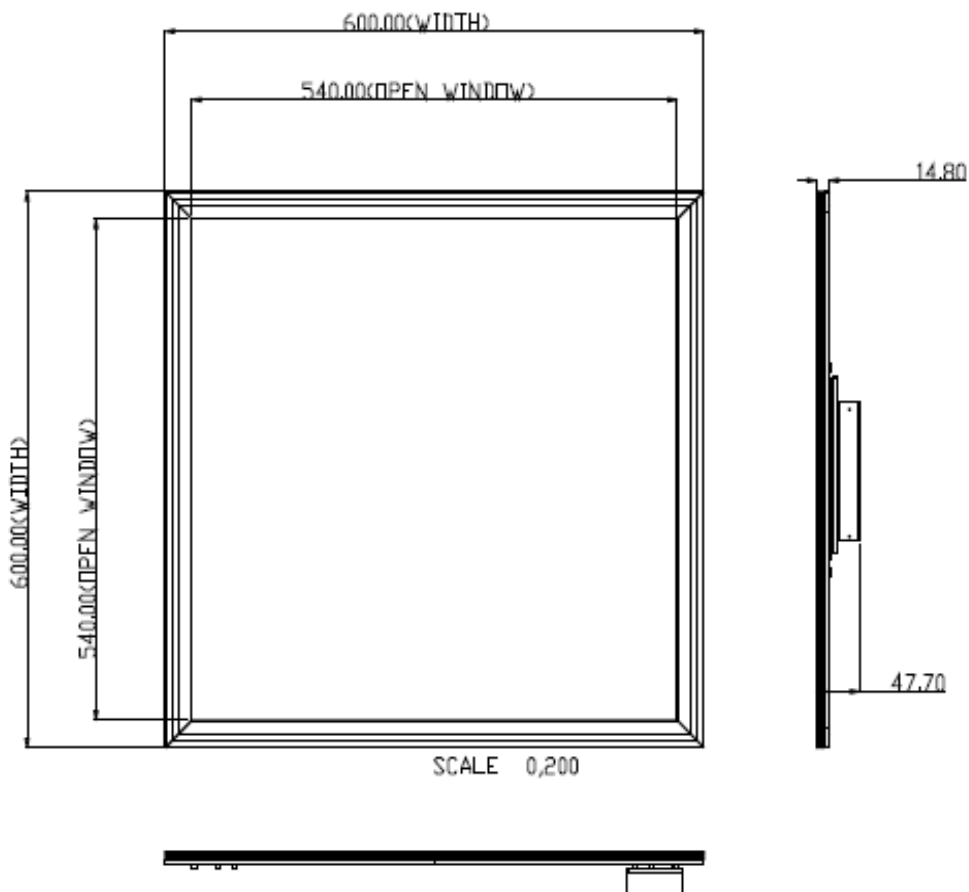
HELIO Optoelectronics Corp.

4. Luminaire Housing & Packing:

4.1 Luminaire Housing

-Light Module Dimension: 600X600X14.8 (+/-0.5) mm

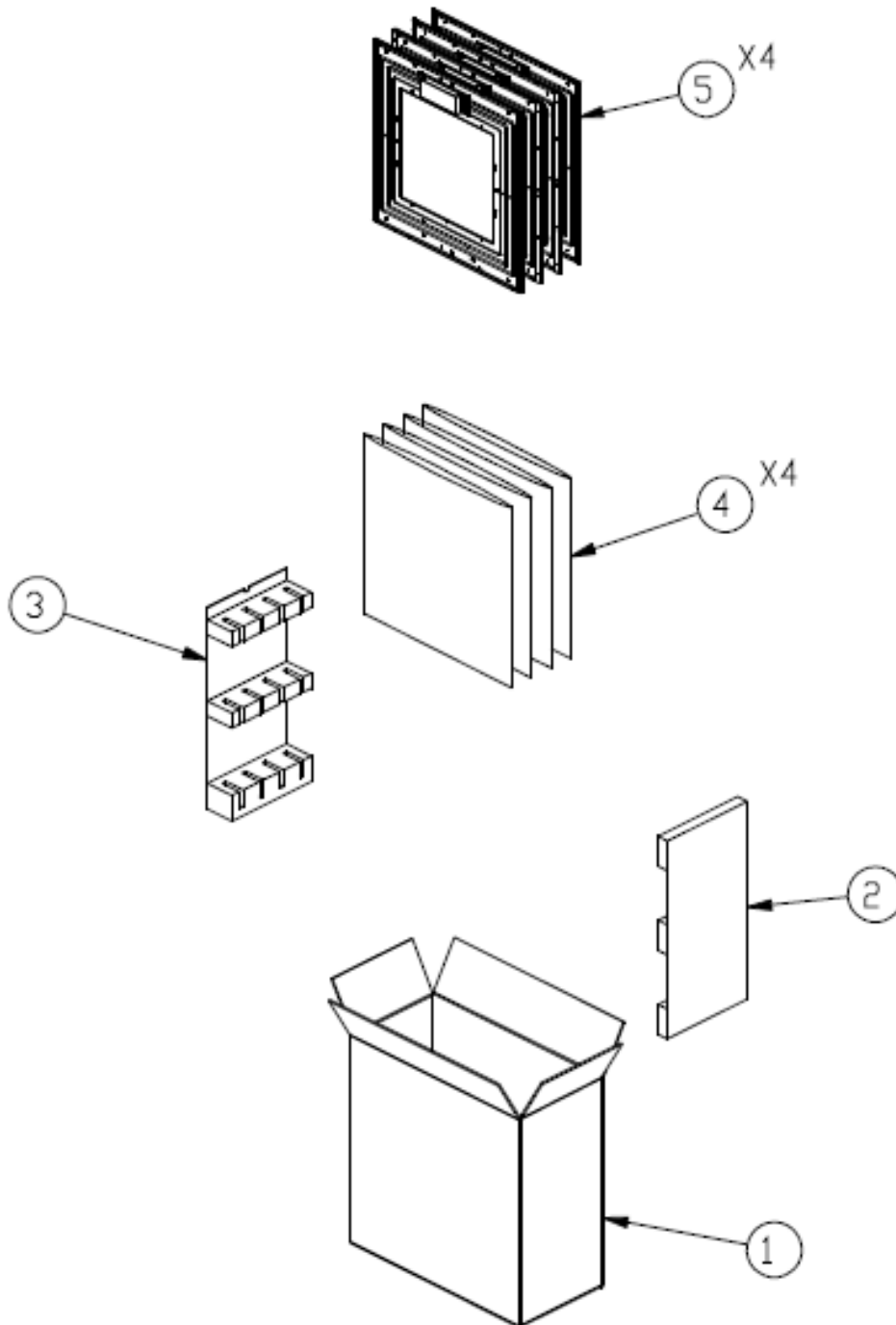
-Power Module Dimension: 190X60X30 (+/-0.5) mm



The information contained herein is the exclusive property of HELIO and shall not be distributed reproduced, or disclosed in whole or in part without prior written permission of HELIO.

HELIO Optoelectronics Corp.

4.2 Four pieces MP carton (700X690X345mm)



The information contained herein is the exclusive property of HELIO and shall not be distributed, reproduced, or disclosed in whole or in part without prior written permission of HELIO.



HELIO Optoelectronics Corp.

5. Power Supply Unit:

Operation Condition

- Input Voltage: 100~240V, AC 50~60Hz
- Power Consumption: Max.65/ Typ.60 W
- Dimability: Switch on/off

6. Safety & EMC Compliance of Power Supply Unit:

6.1 Safety Compliance of Power Supply Unit

- EN 61347
- EN 61347-2-13

6.2 EMC Compliance of Power Supply Unit

- EN 55015
- EN 61547
- EN 55022
- FCC Part 15 Sub B

7. Environmental Operation Condition

- Operation Temperature: -20~45 °C
- Storage Temperature: -40~60 °C

8. Data Document Preparation:

Standard COA will be provided, it will be individually provided by each lot, an indicated electrical datasheet can be provided also. The content features as:

8.1 Optical Performance:

- Surface Illuminance
- Uniformity

8.2 Power Performance

- Power Consumption

8.3 Visual Inspection:

- Mechanical parts surface check
- Limited Light spots

The information contained herein is the exclusive property of HELIO and shall not be distributed reproduced, or disclosed in whole or in part without prior written permission of HELIO.

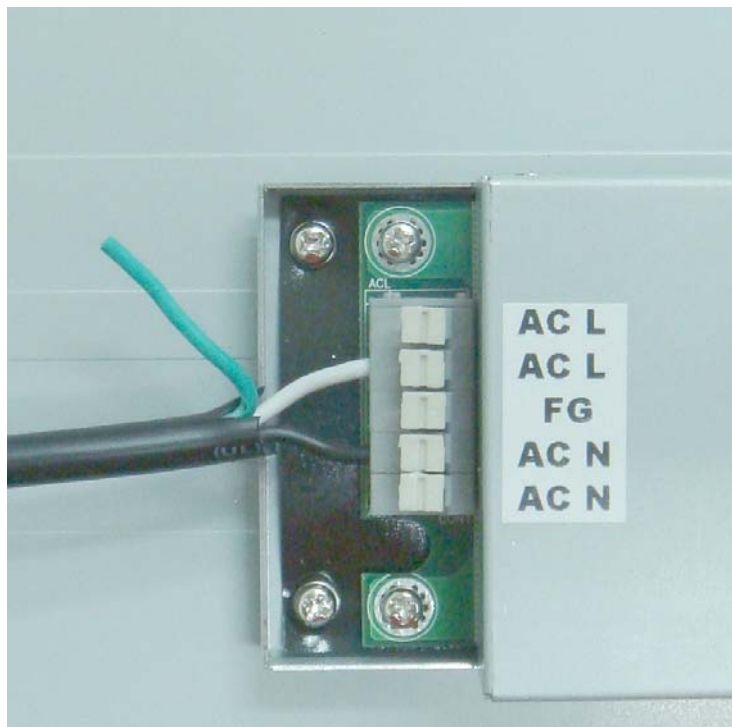
HELIO Optoelectronics Corp.

Power Connections



The power module of the ceiling lamp.

- **Connecting the ceiling lamp to AC power**



The AC wire pair (black & white) is connected to AC L and AC N respectively.
The ground wire is supposed to be connected to FG.

The information contained herein is the exclusive property of HELIO and shall not be distributed, reproduced, or disclosed in whole or in part without prior written permission of HELIO.